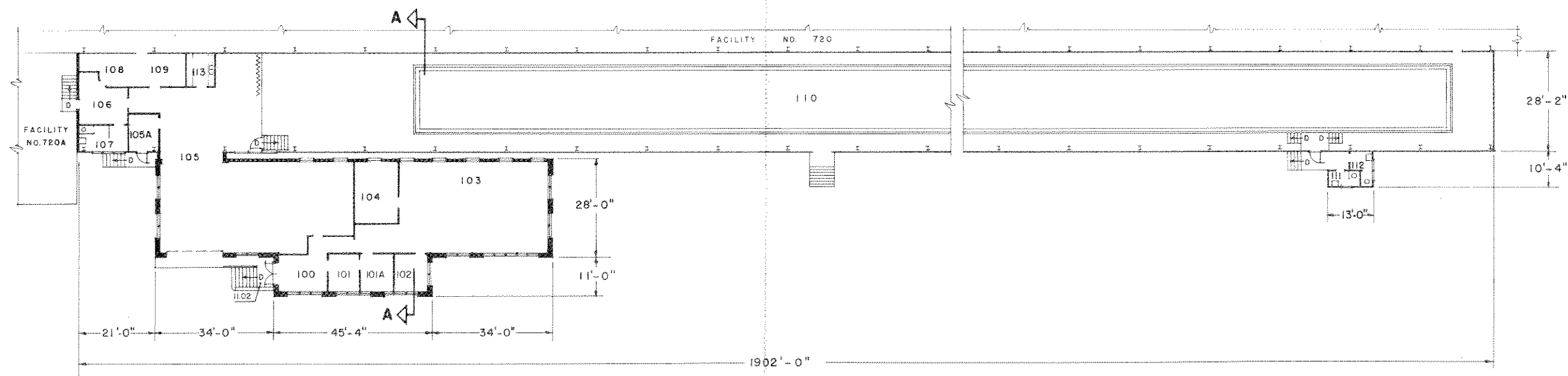
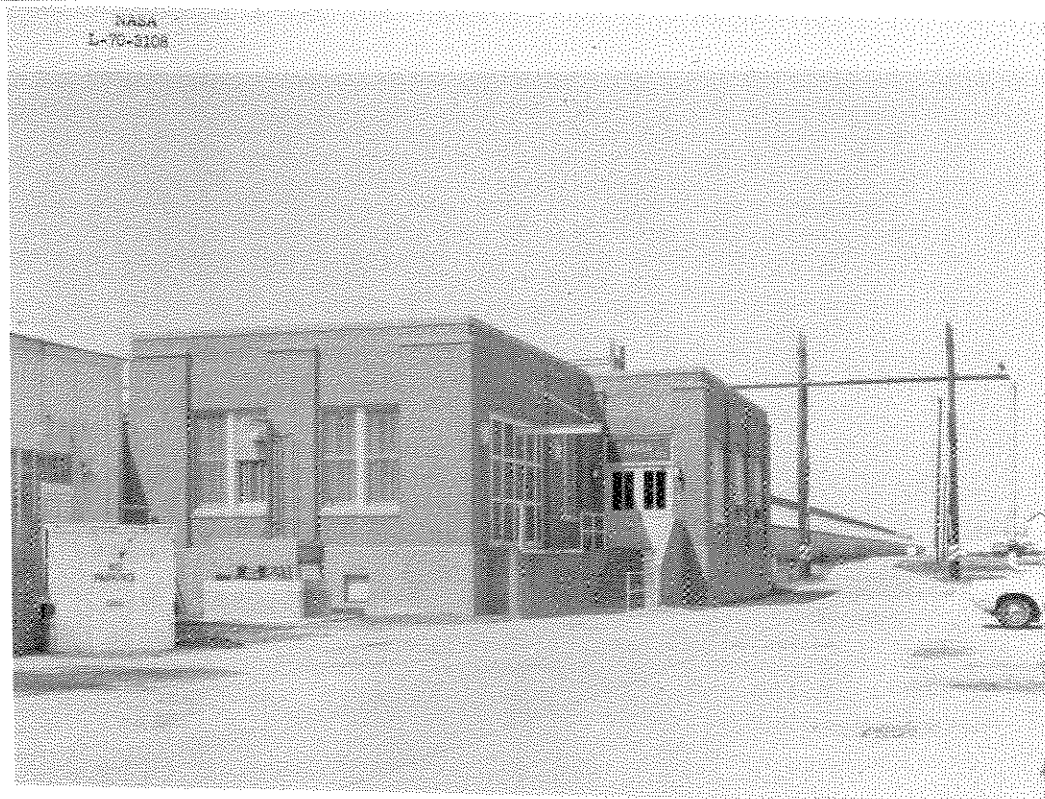
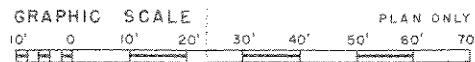
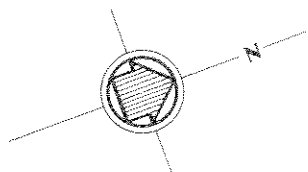


SECTION A - A



FLOOR PLAN
57,378 SQ. FT.



ORIGINAL CONSTRUCTION OCTOBER 1942

REVISED JUL 12, 78 - VALUE ENGR. CO
E.C. BURT JR. NASA TRCO

LANGLEY RESEARCH CENTER		E
IMPACTING STRUCTURES AND VORTEX RESEARCH FAC.		
FACILITY NO. 720-B		