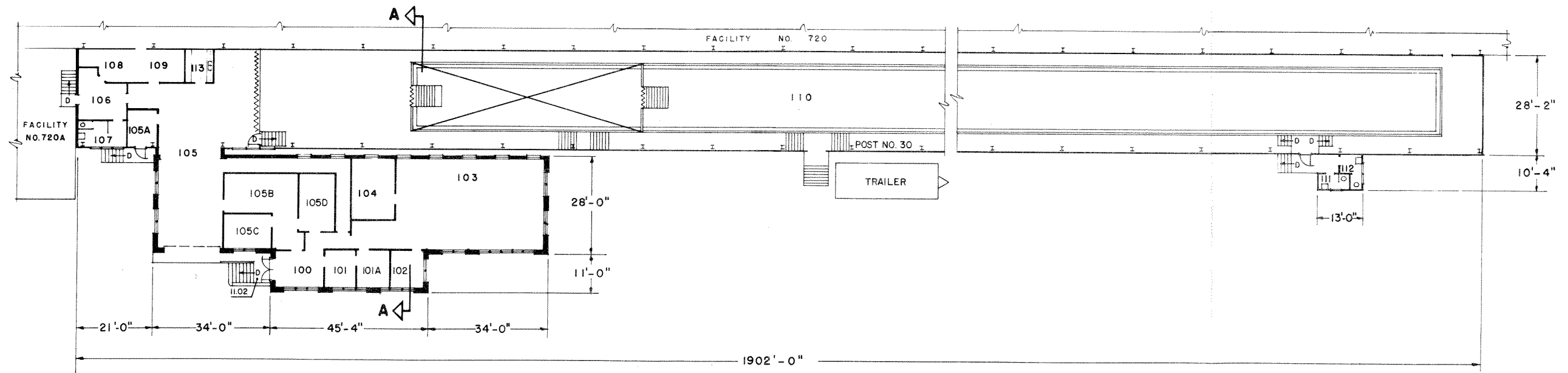
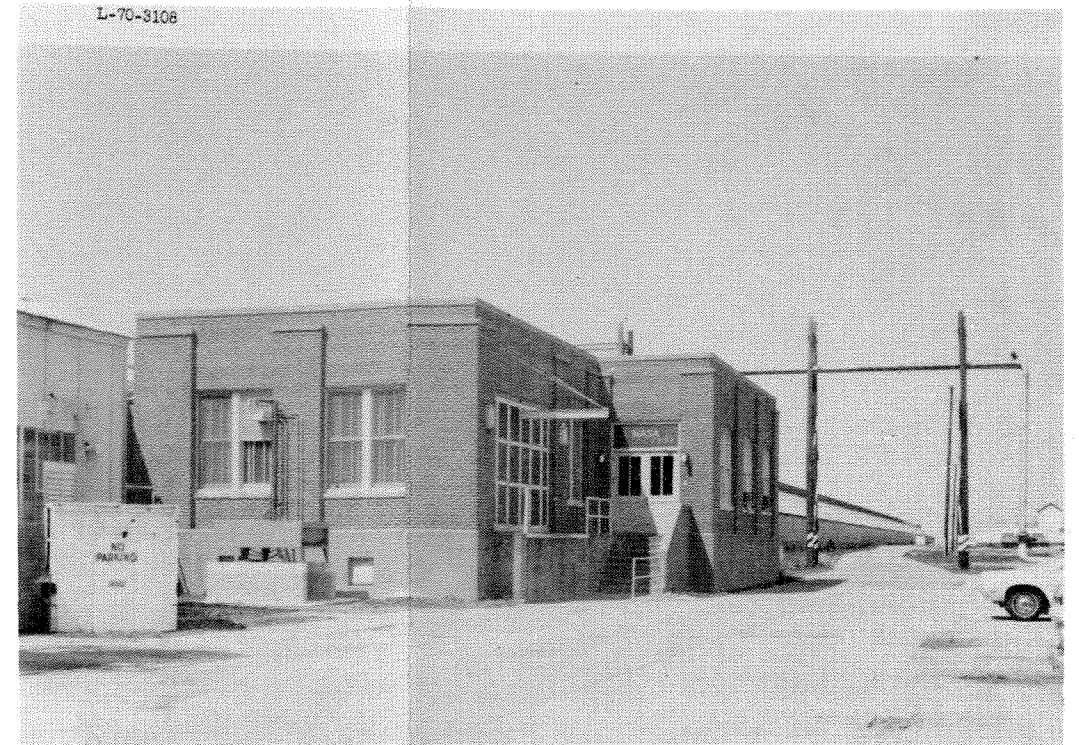
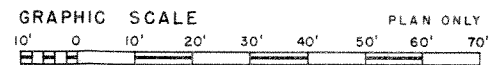
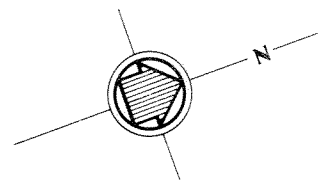


SECTION A-A



FLOOR PLAN
57,378 SQ. FT.



ORIGINAL CONSTRUCTION OCTOBER 1942

REVISED 15 JUN 81, VSE
E.C.BURT JR. NASA TRCO

LANGLEY RESEARCH CENTER		E
IMPACTING STRUCTURES AND VORTEX RESEARCH FACILITY FACILITY NO. 720-B		